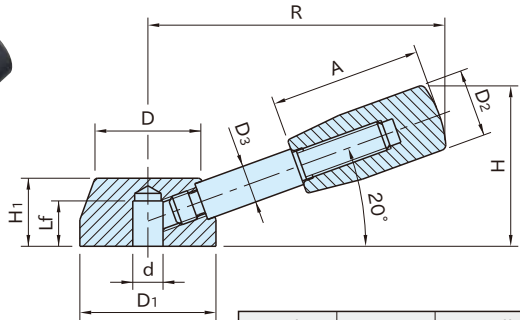


WL**SWITCH LEVERS**

Hub	Lever Arm	Handle
Steel(S45C) Black oxide finish	Steel(SS400) Black oxide finish	Phenolic plastic Black

Part Number	R	H	D	D ₁	H ₁	d (H8)	Lf	D ₂	D ₃	A	Weight (g)
WL 80	80	42	28	36	18	8	12	18	10	40	160
WL 90	90	48	32	40	20		13				210
WL100	100	54	36	45	22.5	10	14			21	50
WL125	125	64	40	50	25		16	23	12	65	420
WL140	140	72	45	55	28	12	19				560
WL160	160	81	52	65	32	14	22	26	14	80	870
WL180	180	93	66	80	40	16	26	28	16	90	1,580