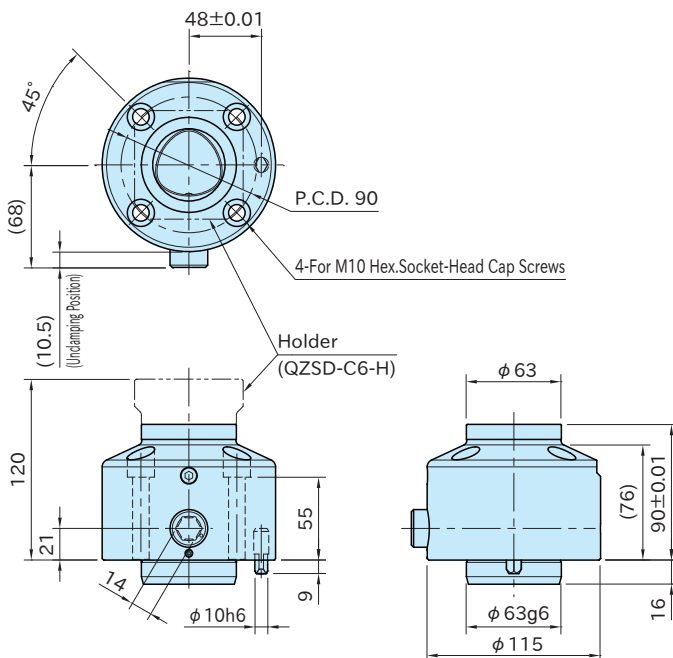


QZSD-C6-B

BASE (QUICK ZERO SETTING DEVICE)



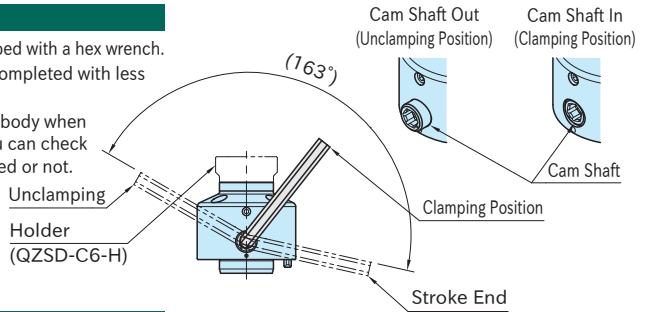
Body	Cam Shaft
SCM420 steel	SCM435 steel
Carburized-hardened	Quenched and tempered
Black oxide finished	Black oxide finished



Part Number	Clamping Force(kN)	Allowable Tightening Torque(N·m)	Weight (kg)
QZSD-C6-B	30	100	5.2

Feature

- Holder can be clamped / unclamped with a hex wrench.
- Tightening / loosening can be completed with less than 180° turn.
- The cam shaft comes out of the body when the holder is unclamped. So you can check visually if the holder is unclamped or not.



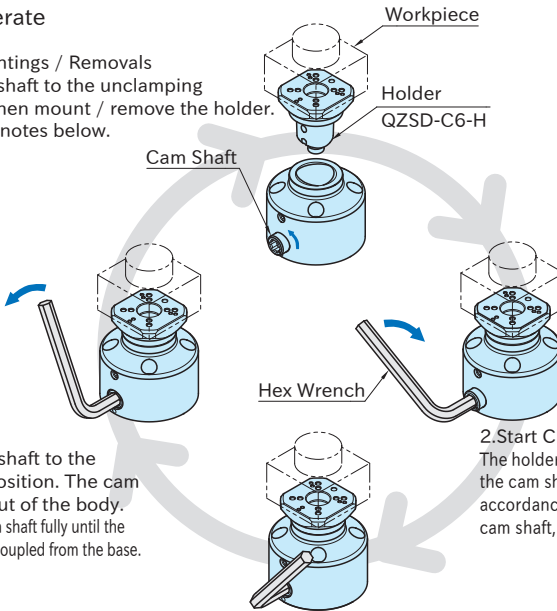
How To Use

How to Operate

1. Holder Mountings / Removals

Turn the cam shaft to the unclamping position and then mount / remove the holder.

Note: See the notes below.



4. Unclamping

Turn the cam shaft to the unclamping position. The cam shaft comes out of the body.

Note: Turn the cam shaft fully until the holder is uncoupled from the base.

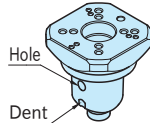
2. Start Clamping

The holder is clamped by tightening the cam shaft with a hex wrench. In accordance with tightening of the cam shaft, it comes in the body.

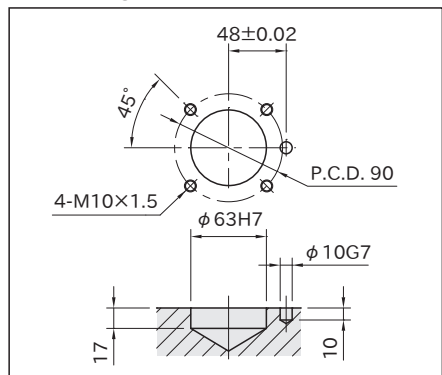
3. Fully Clamped!

<Notes for Mountings/ Removals of Holder>

- Ensure that the cam shaft is come out of the body.
- Note to mount the holder by aligning its hole and dent to the cam shaft of the base.



Mounting-Hole Dimension



Related Product

- [QZSD-C6-H](#) HOLDER (QUICK ZERO SETTING DEVICE)
- [QZSD-C6-P](#) PLATE (QUICK ZERO SETTING DEVICE)