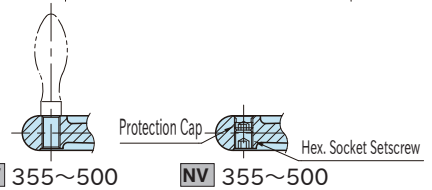
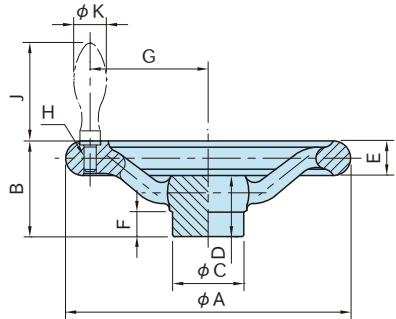




NV
(Angle-Spoke
Without Handle-Mounting
Tapped Hole)



V
(Angle-Spoke
With Handle-Mounting Tapped Hole)
Note : Handle must be ordered separately.



Handwheel
Cast iron
Chrome plated

Part Number		No. of Spokes	A	B	C	D	E	F	For <input checked="" type="checkbox"/> Type		Weight (g)	
Without Handle-Mounting Tapped Hole	With Handle-Mounting Tapped Hole								G	H		
NV 80	V 80	3	80	36	25	24	14	9	30	M 5×0.8	400	
NV100	V100		100	40	30	25	15		40		520	
NV125	V125		125	45	35	29	16	12	51		M 6×1	850
NV140	V140		140	47		30	17		58			1,050
NV160	V160		160	49	38	33	18	12	67	M 8×1.25	1,400	
NV180	V180		180	53		35	20		76		1,700	
NV200	V200		200	56	40	40	22	14	84	M 10×1.5	2,300	
NV225	V225		225	60	45		24		15		95	3,000
NV250	V250		250	62		53		43		26	107	3,900
NV280	V280		280	64	60		45		28		16	122
NV315	V315	315	67	60	45	28	138	5,900				
NV355	V355	5	355	74	67	50	30	20	151	M 16×2	7,800	
NV400	V400		400	77		52	32				172	9,600
NV450	V450		450	87	72	60	34	26	196	M 16×2	13,900	
NV500	V500		500	89	82		34				27	221

Handle Recommendations

Part Number	Handle-Receiving Counterbore		Steel Fixed Handle			Steel Revolving Handle		
	Dia.	Depth	Part Number	J	K	Part Number	J	K
V 80	8.5	2	SA13	38	13	-	-	-
V100								
V125	10.5	2	SA16	48	16	RA16	51	16
V140								
V160	13.5	2	SA20	62	20	RA20	65	20
V180								
V200	16.5	2	SA25	78	25	RA25	83	25
V225								
V250								
V280								
V315	20.5	2	SA32	98	32	RA32	105	32
V355								
V400	-	-	SA36	112	36	RA36	120	36
V450								
V500								

Feature:

Handwheel of 250mm or greater diameter has finger grips

Notes:

- **V**80 to **V**100 handwheels are available also with a **SRG10** or **SRG10S** stainless steel revolving handle
- **NV** 80~315: The handle-mounting tapped hole is not provided.
- **NV** 355~500: The handle-mounting tapped hole is provided. The handwheels come with a dedicated plug and a hex socket head screw pre-installed in the handle-mounting tapped hole.