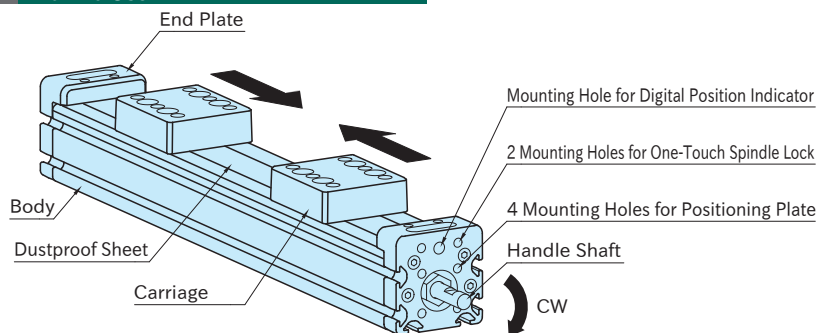


How To Use



- Two carriages move toward the arrow directions by turning the Handle Shaft clockwise.
- Two carriages move against the arrow directions by turning the Handle Shaft counterclockwise.
- Pitch between two carriages increases or decreases 6mm per rotation of the Handle Shaft.

