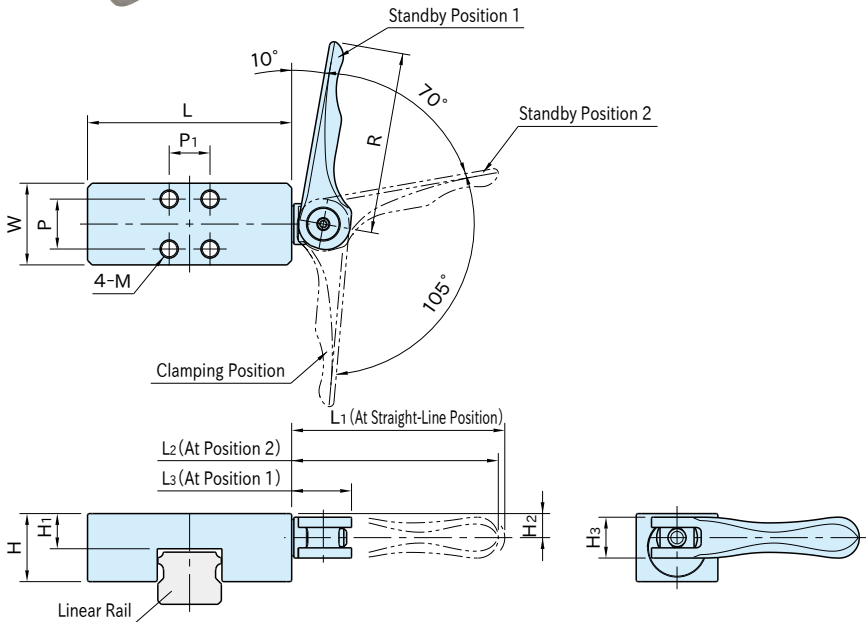




Body	Handle	Ring Nut / Spacer	Push Bar
S45C steel Electroless nickel plated	SCM440 steel Quenched and tempered Electroless nickel plated	SCM435 steel Quenched and tempered Electroless nickel plated	S45C steel

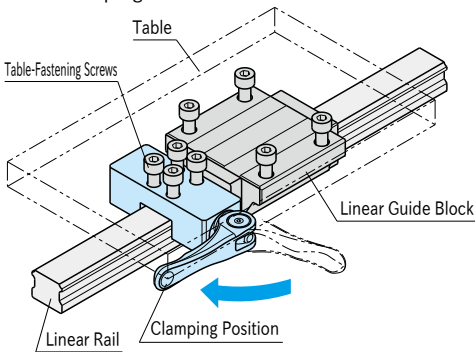


Part Number	Linear-Rail Width (Nominal)	L	W	H	H <sub>1</sub>	R	H <sub>3</sub>	H <sub>2</sub>	L <sub>1</sub>	L <sub>2</sub>	L <sub>3</sub>	M
<b>LSM-20</b>	20	63	26	22	11.5	63	14	7.8	76	73	23	M5×0.8 Depth 10
<b>LSM-25</b>	25	70	30	24	13.5			9.5				M6×1 Depth 12
<b>LSM-30</b>	30	90	36	30	15.5	80	18	10.6	95	92	27	M8×1.25 Depth 14
<b>LSM-35</b>	35	100	38	34	18.5			13.4				

Part Number	P	P <sub>1</sub>	Handle Operating Load (N)	Holding Force (N)	Weight (g)
<b>LSM-20</b>	16	13	40	150	283
<b>LSM-25</b>	18	15			376
<b>LSM-30</b>	22	18	50	250	729
<b>LSM-35</b>	24	24			932

## How To Use

Turning the handle to the clamping position allows clamping the linear rail.

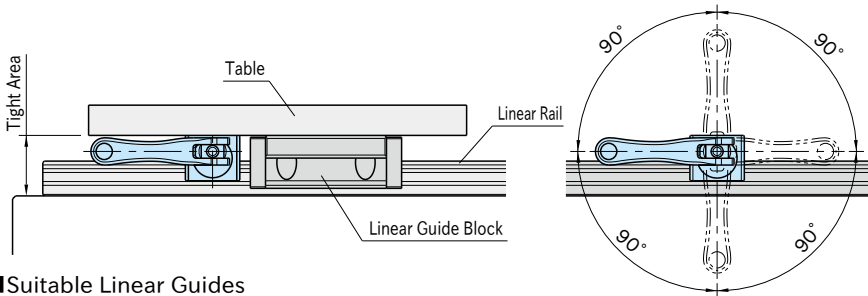


## Note

- Unless the handle is turned to the clamping position, the engineered full clamping force can not be distributed.
- When the friction factor is extremely small due to oil or the like applied on the linear rail, the holding force can decrease.
- When a heavy impact load is applied, slippage can occur due to impact strength.

## Feature

- Locks positively through simple operation.
- Always provides constant clamping force due to clamping with built-in spring.
- Can be operated in tight areas as shown below, due to no need of space for handle swivel.
- The handle can be changed in orientation every 90°.



## Suitable Linear Guides

Manufacturer	Type	
THK	SHS	SHS-C / SHS-LC, SHS-V / SHS-LV
	SSR	SSR-XW / SSR-XWM, SSR-XV / SSR-XVM, SSR-XTB
	HSR	HSR-A / HSR-AM / HSR-LA / HSR-LAM, HSR-B / HSR-BM / HSR-LB / HSR-LBM, HSR-CA / HSR-CAM / HSR-HA / HSR-HAM, HSR-CB / HSR-CBM / HSR-HB / HSR-HBM
	SR	SR-W / SR-WM / SR-V / SR-VM, SR-TB / SR-TBM / SR-SB / SR-SBM
IKO	LWE	LWEC / LWE / LWEG / LWEC...SL / LWE...SL / LWEG...SL, LWE...Q
	LWET	LWETC / LWET / LWETG / LWETC...SL / LWET...SL / LWETG...SL, LWET...Q
	LWES	LWESC / LWES / LWESG / LWESC...SL / LWES...SL / LWESG...SL, LWES...Q
	LWH	LWH...B / LWHG / LWH...SL / LWH...M
	LWHT	LWHT...B / LWHTG / LWHT...SL / LWHT...M
	LWHS	LWHS...B / LWHSG / LWHS...SL / LWHS...M

\*) For use on other linear guides than above, contact us.

\*) Note that Linear-Motion Stoppers are not products by manufacturers of linear guides, and any of such manufacturers are not liable or compensate for any trouble that may be caused by use of our Linear-Motion Stoppers.