

KA

LEVELING FEET



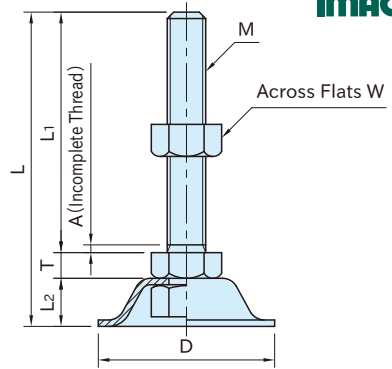
Stainless Steel



(Steel)



(Stainless Steel)



Type	Foot	Stud	Hex Nut
KA	Steel (SPCC) Zinc trivalent chromate finish	Steel (SS400) Zinc trivalent chromate finish	Steel (SS400) Zinc trivalent chromate finish
KA-SUS	Stainless steel (SUS304) Passivated	Stainless steel (SUS304) Passivated	Stainless steel (SUS304)

Steel		Stainless Steel		D	L	L ₁	L ₂	T	M	W	A	Static Load Capacity (N)
Part Number	Weight (g)	Part Number	Weight (g)									
KA37-08×050	60	-	-	37	67.5	50	12	5.5	M 8×1.25	13	2.5	3000
-	-	KA37-08×060-SUS	60		77.5	60						
KA37-08×100	70	KA37-08×100-SUS	70		117.5	100						
KA37-10×050	80	KA37-10×050-SUS	80		69	50						
KA37-10×100	110	KA37-10×100-SUS	110	119	100	55	15	8	M12×1.75	19	3.5	5000
KA55-12×050	135	-	-	73	50							
KA55-12×100	165	KA55-12×100-SUS	165	123	100							
KA55-12×120	180	KA55-12×120-SUS	180	143	120							
KA55-12×150	200	KA55-12×150-SUS	200	173	150	75	18	10	M16×2	24	4	5000
KA75-16×065	265	-	-	93	65							
KA75-16×100	320	KA75-16×100-SUS	320	128	100							
KA75-16×130	360	KA75-16×130-SUS	360	158	130							
KA75-16×150	390	KA75-16×150-SUS	390	178	150	13	13	M20×2.5	30	5	5000	
KA75-16×180	430	KA75-16×180-SUS	430	208	180							
KA75-16×200	450	-	-	228	200							
KA75-20×100	480	KA75-20×100-SUS	500	131	100							
KA75-20×130	540	KA75-20×130-SUS	560	161	130	75	18	10	M16×2	24	4	5000
KA75-20×150	580	KA75-20×150-SUS	600	181	150							
KA75-20×180	640	KA75-20×180-SUS	660	211	180							
KA75-20×200	685	-	-	231	200							

Features

The stainless steel version is excellent in anti-corrosion and water resistance.