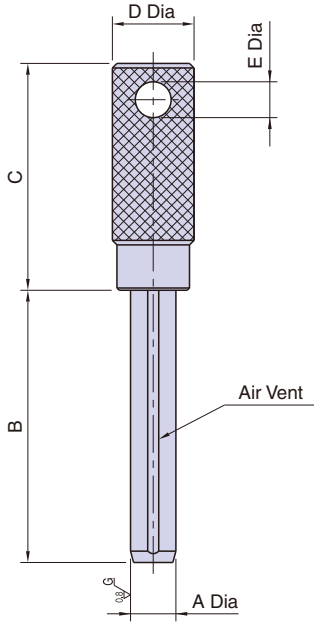


**BJ820****JIG PINS**

Part Number	A (h7)	B	C	D	E	Weight (g)
<b>BJ820-06020</b>	6	20	30	12	6	23
<b>BJ820-06030</b>		30				25
<b>BJ820-06040</b>		40				28
<b>BJ820-08030</b>	8	30	40	14	6	48
<b>BJ820-08040</b>		40				52
<b>BJ820-08050</b>		50				56
<b>BJ820-08060</b>		60				60
<b>BJ820-08070</b>		70				64
<b>BJ820-10040</b>	10	40	50	18	8	105
<b>BJ820-10060</b>		60				115
<b>BJ820-10080</b>		80				130
<b>BJ820-10100</b>		100				140
<b>BJ820-12040</b>	12	40	60	20	8	160
<b>BJ820-12060</b>		60				175
<b>BJ820-12080</b>		80				195
<b>BJ820-12100</b>		100				210
<b>BJ820-16060</b>	16	60	70	26	10	340
<b>BJ820-16080</b>		80				380
<b>BJ820-16100</b>		100				410
<b>BJ820-16130</b>		130				450

[Pin]  
 Material : SUJ2 steel  
 Heat Treat : Quenched and tempered  
 Precision ground  
 [Handle]  
 Material : S45C steel  
 Finish : Black oxide