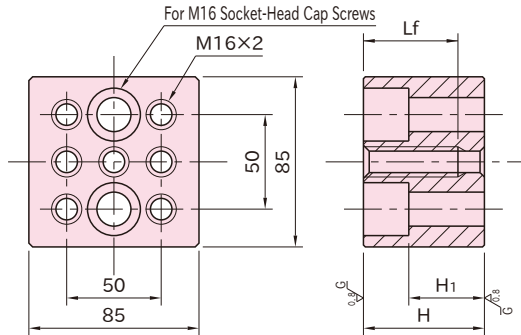
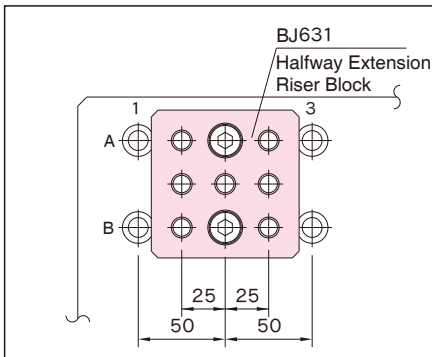


BJ631**HALFWAY EXTENSION RISER BLOCKS**

Material : S45C steel
 Finish : Black oxide
 Precision ground

Part Number	H (±0.01)	H ₁	Lf	Weight (kg)
BJ631-16025	25	8	Through	1.2
BJ631-16032	32	15		1.4
BJ631-16040	40	23		1.8
BJ631-16050	50	33		35

How To Use

Stackable blocks that allows positioning components between grid points.

Feature:

Precision ground on both top and bottom faces