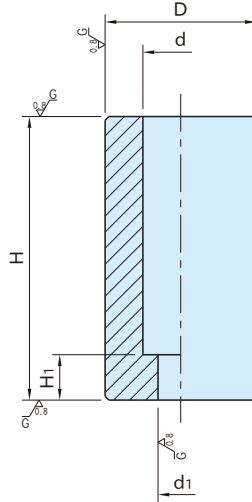


BJ400(M12,M16)

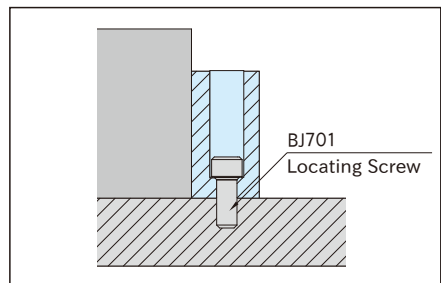
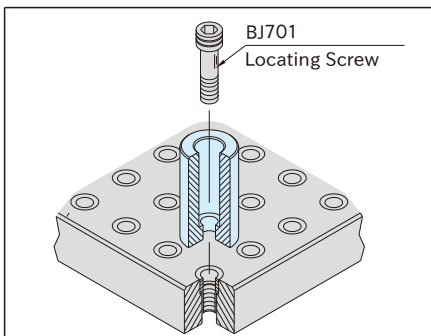
CYLINDRICAL LOCATORS



Body
Steel (S55C)
Quenched and tempered
Black oxide finish
Precision ground
Heat treated to Rc39-45

Part Number	H (±0.01)	D (±0.01)	d ₁ (H7)	d	H ₁	Weight (g)	Proper Locating Screws	
BJ400-12025	25	40	12	20	12	200	BJ701-12045	
BJ400-12050	50					390		
BJ400-12075	75					570		
BJ400-16050	50	50	16	26	15	600	BJ701-16055	
BJ400-16075	75					880		
BJ400-16100	100				1,190	25	1,470	BJ701-16065
BJ400-16125	125							

How To Use



Locating Screws allow locating and fastening Simultaneously.