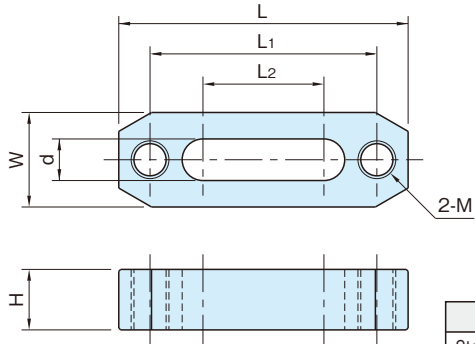


BJ159**DOUBLE-TAPPED CLAMP STRAPS**

Body
Steel (S45C)
Quenched and tempered
Black oxide finish

Part Number	L	W	H	d	L ₂	M	L ₁	Clamping Force (N)	Allowable Screw Torque (N·m)	Weight (g)
BJ159-08063	63	25	12	9	25	M 8×1.25	49	6,900	22	95
BJ159-08080	80				32		66			130
BJ159-10080	80	25	16	11	32	M10×1.5	60	11,300	45	150
BJ159-10100	100				40		80			200
BJ159-10125	125				45		105			275
BJ159-12100	100	32	19	13	40	M12×1.75	80	16,700	80	320
BJ159-12125	125				45		105			425
BJ159-12160	160				50		140			675
BJ159-16125	125	38	22	17	40	M16×2	101	18,000	115	480
BJ159-16160	160				50		136			760
BJ159-16200	200				60		176			1,125
BJ159-20125	125	38	22	21	40	M20×2.5	95	19,700	157	470
BJ159-20160	160				50		130			665
BJ159-20200	200				60		170			1,445