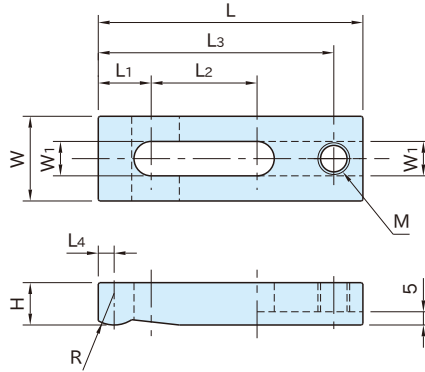


BJ156

TAPPED RADIUS STRAPS



Material : S45C steel
 Heat Treat : Quenched and tempered
 Finish : Black oxide

Part Number	L	W	H	W ₁	L ₂	M	L ₁	L ₃	L ₄	R	Clamping Force (N) At Max. - Min. End Projection	Allowable Screw Torque (N m)	Weight (g)
BJ156-08050	50	19	12	9	14	M 8X1.25	12	42	5	R10	4,000~ 7,600	17	60
BJ156-08063	63		27	55	70								
BJ156-08080	80		34	72	120								
BJ156-10063	63	25	12	11	18	M10X1.5	15	53	5	R10	6,400~12,200	45	105
BJ156-10080	80		32	70	160								
BJ156-10100	100		40	90	270								
BJ156-12063	63	32	16	13	14	M12X1.75	14	52	6	R12	13,700~21,600	71	190
BJ156-12080	80		25	69	235								
BJ156-12100	100		40	89	330								
BJ156-12125	125	25	19	17	50	M16X2	20	114	6	R12	12,900~27,500	80	440
BJ156-12160	160		60	149	765								
BJ156-16080	80		17	18	65		16,600~26,000	115			320		
BJ156-16100	100	30	25	85	12,700~25,300	485							
BJ156-16125	125	45	25	110	14,700~31,100	129	660						
BJ156-16160	160	65	145	15,300~33,400	845								