

PBLC

PNEUMATIC BALL-LOCKING CLAMPS

RHS **SUS**

IMAO



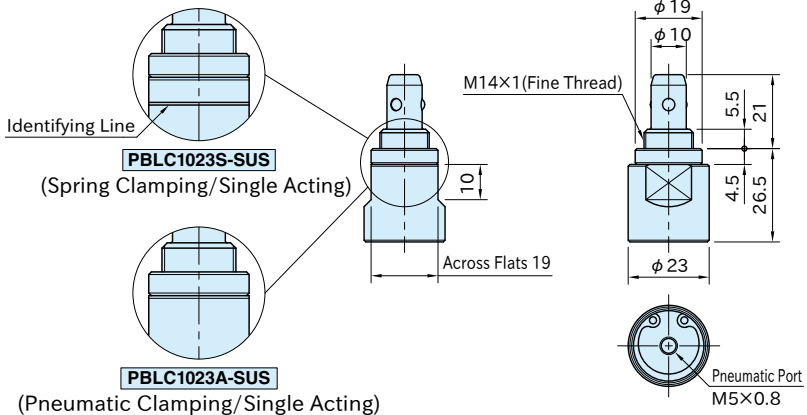
PBL1023S-SUS

PBL1023A-SUS

(Spring Clamping/Single Acting) (Pneumatic Clamping/Single Acting)

★ **Key Point**
Two clamping types are available.

Body	Shaft	Ball	Spring	Retaining Ring	Seal
SUS303 stainless steel	SUS420J2 stainless steel Electroless nickel plated Quenched and tempered	SUS440C stainless steel Quenched and tempered	SUS304WPB stainless steel	SUS304 stainless steel	Nitrile rubber (NBR)



Part Number	Operating Air Pressure (MPa)	Clamping Force (N)	Weight (g)	Proper Receptacle
PBL1023S-SUS	0.3~0.7	50	71	PBL1023-M16-SUS
PBL1023A-SUS		150 *)		

*) The clamping force above is at 0.5 MPa.

PBL1023-M BALL-LOCK RECEPTACLE

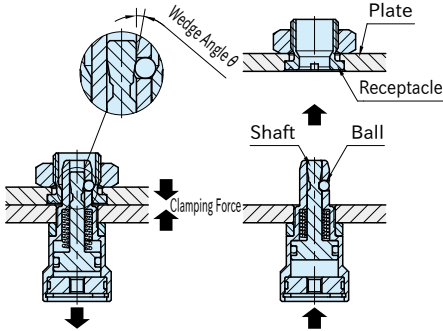


Note

PBL1023S-SUS has an identifying line and **PBL1023A-SUS** does not.

Feature

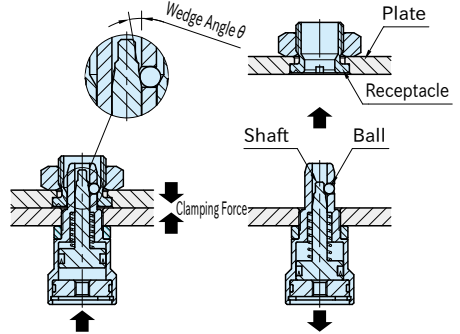
PBLC1023S-SUS (Spring Clamping)



Air Release (Clamping)

Air Supply (Unclamping)

PBLC1023A-SUS (Pneumatic Clamping)



Air Supply (Clamping)

Air Release (Unclamping)

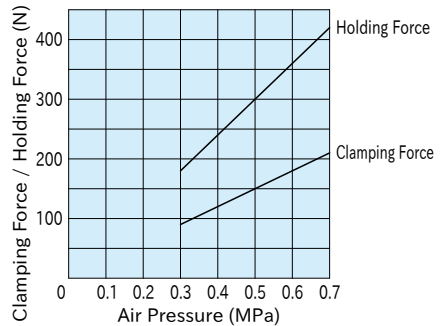
- The shaft pushes out the balls onto the tapered surface of the receptacle to pull down the plate.
- The wedge clamping prevents the plate from lifting up.
- Spring clamping type can keep clamping without air supply.

Performance Curve

PBLC1023S-SUS (Spring Clamping)

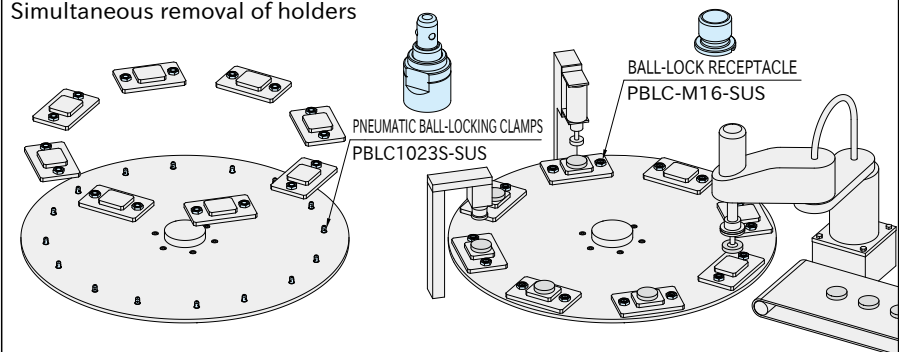
Clamping Force (N)	Holding Force (N)
50	150

PBLC1023A-SUS (Pneumatic Clamping)



Application Example

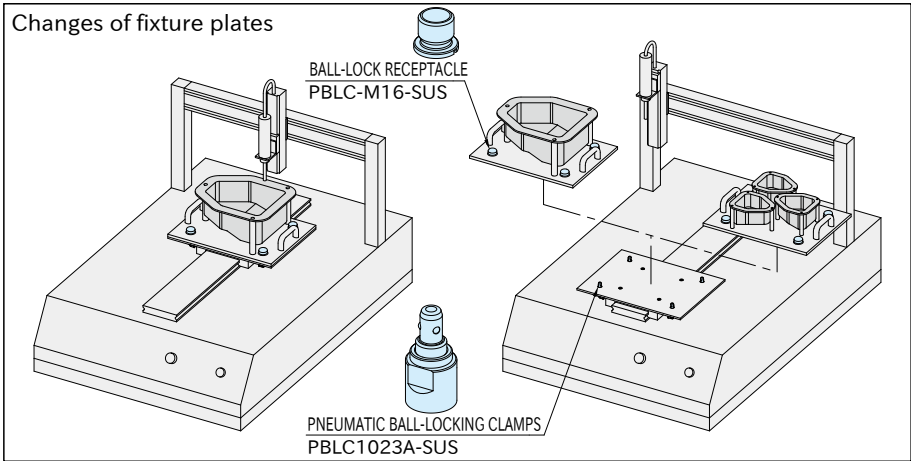
Simultaneous removal of holders



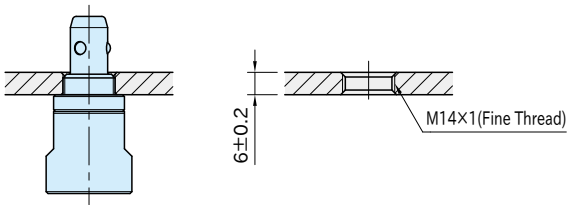
Continuing on Next Page

Application Example

Changes of fixture plates



■ Hole Preparation



■ Machining Accuracy

Spacing tolerance for multiple use should be ± 0.1 .

■ Repeatability

Repeatability is ± 0.2 .
For higher accurate locating, use locating pins.