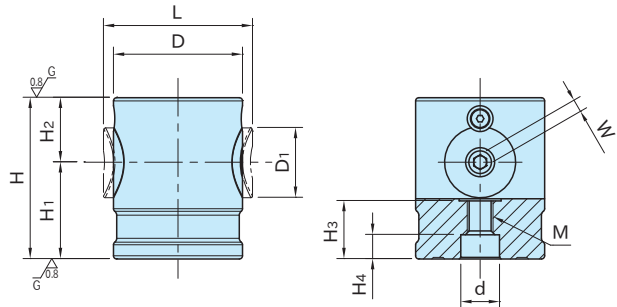
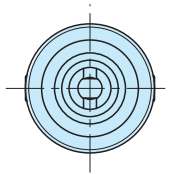


# CP152

# CLAMPING MODULES (Single)



**CP152** -06032



**CP152** -08050, 12080, 16100

Body	Clamping Nut	Locking Screw
SCM440 steel Induction hardened Black oxide finished Precision ground	SCM440 steel Quenched and tempered Black oxide finished	SCM435 steel Quenched and tempered Black oxide finished

Part Number	D	H (±0.01)	D <sub>1</sub>	L	H <sub>1</sub>	H <sub>2</sub>	H <sub>3</sub>	d (H7)	H <sub>4</sub>	M	W
<b>CP152-06032</b>	30	32	15	34.5	19.5	12.5	11.5	8	5	M 6×1	3
<b>CP152-08050</b>	40	50	22	46	30	20	18	12	7.5	M 8×1.25	4
<b>CP152-12080</b>	60	80	32	69	50	30	25	18	10.5	M12×1.75	6
<b>CP152-16100</b>	80	100	44	91	60	40	31	22	12.5	M16×2	8

Part Number	Clamping Force (kN)	Allowable Screw Torque (N·m)	Weight (kg)
<b>CP152-06032</b>	5	4	0.2
<b>CP152-08050</b>	8	8	0.5
<b>CP152-12080</b>	15	22	1.6
<b>CP152-16100</b>	25	50	3.8

## Related Product

- [CP150](#) Clamping Modules (Flanged)
- [CP151](#) Clamping Modules (Double)
- [CP155-L](#) Tapered Clamping Screws (Round)
- [CP155-D](#) Tapered Clamping Screws (Diamond)
- [CP156](#) Clamping Screws
- [CP159](#) Locating Bushings

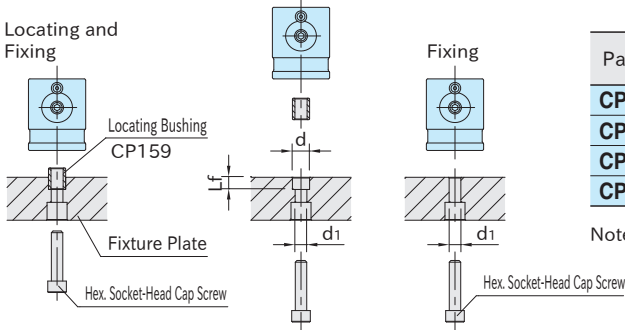
## Technical Information

Allowable Cutting Force & Workpiece Weight of CLAMPING MODULES

## How To Use

- Use **CP159** Locating Bushing for precise locating.
- Use only hex. socket-head cap screw just for fixing.

### ■ Mounting-Hole Dimension



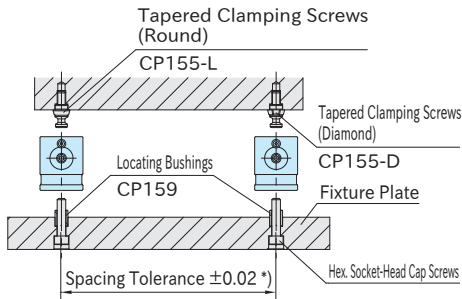
Part Number	d (H7)	Lf	d1 (+0.2/0)
<b>CP152-06032</b>	8	6.5	6
<b>CP152-08050</b>	12	8.5	8
<b>CP152-12080</b>	18	12.5	12
<b>CP152-16100</b>	22	16.5	16

Note: Only c'bored hole is required just for fixing.

### ■ Spacing Tolerance

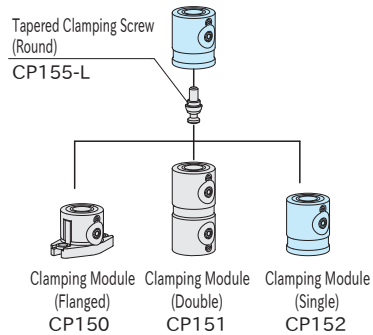
Spacing tolerance for CP159 Locating Bushings should be  $\pm 0.02$ .

\*) Spacing tolerance for hex. socket-head cap screw should be  $\pm 0.1$ .



### ■ Coupling with Other Clamping Modules

Can be coupled with each Clamping Module.  
(Locating Repeatability is  $5 \mu\text{m}$ )



### ■ Tightening Order

Tighten the locking screws in order of 1(Round Tapered Clamping Screw)→2(Diamond Tapered Clamping Screw)→3(Clamping Screw)→4(Clamping Screw).

Note: For **CP152**-06032, use 2 pieces of Round Tapered Clamping Screw.

Tighten these 2 screws in the same order to maintain the locating repeatability.

