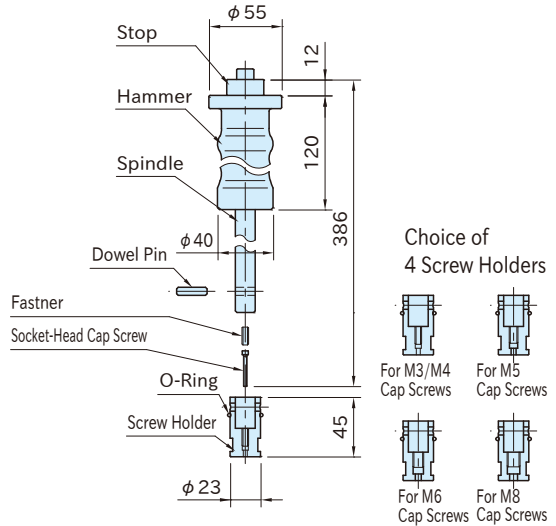


NKL**PIN EXTRACTORS**

Part Number	Weight (kg)
NKL-40	1.7

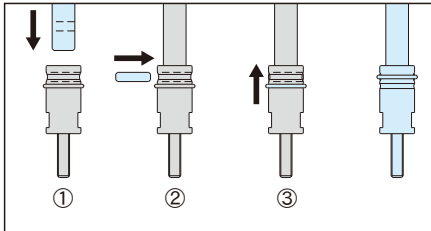
Hammer	Spindle & Stop	Screw Holder
Steel(S55C) Galvanized trivalent chromate treated	Steel(S45C) Galvanized trivalent chromate treated	Steel(SK105) Quenched and tempered Galvanized trivalent chromate treated

Included are :

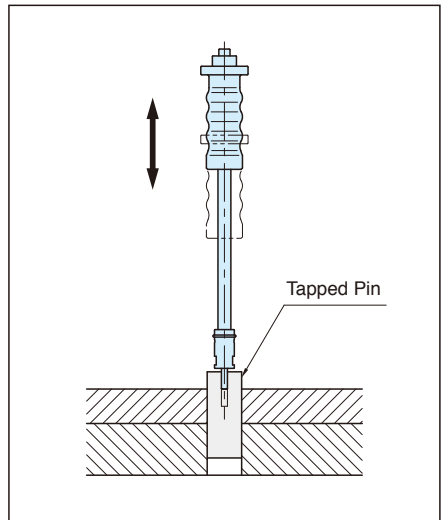
1 of screw-holder container and each 1 of M3, M4, M5, M6 and M8 cap screws

Feature:

Screw holders can be easily secured to the spindle. The hammer is designed not to get fingers caught between the hammer and the stop.

How To Secure Screw Holders

- ① Insert the spindle into the screw holder.
- ② Insert the Dowel Pin into the spindle.
- ③ Retain the Dowel Pin with the O-ring.

How To Use

Perfect to pull out pins with M3 to M8 tapped holes.