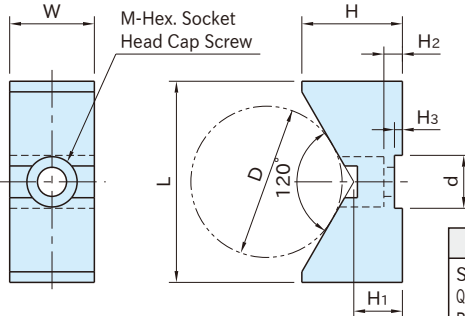


CP112

BLOCK-PUSH-CLAMP V-PADS

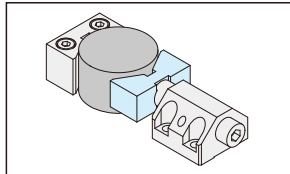


Body
Steel (S45C)
Quenched and tempered
Black oxide finish

Part Number	D		M	d (+0.1 0)	H ₃	L	H	W	H ₁	H ₂	Weight (g)
	min.	max.									
CP112-08001	15	60	M 5	10	1.5	38	19	16	9.2	3.5	65
CP112-10001	20	80	M 6	12		50	24	19	11	4.5	125
CP112-12001	25	100	M 8	14	2	65	32	22	15	5.5	250
CP112-16001	30	120	M10	19	2.5	75	38	25	18.7	7.5	390

Part Number	Proper Block Push Clamps
CP112-08001	CP110-08024
CP112-10001	CP110-10029
CP112-12001	CP110-12031
CP112-16001	CP110-16037

How To Use



Designed for use with **CP110** Block Push Clamps shown on the previous page.