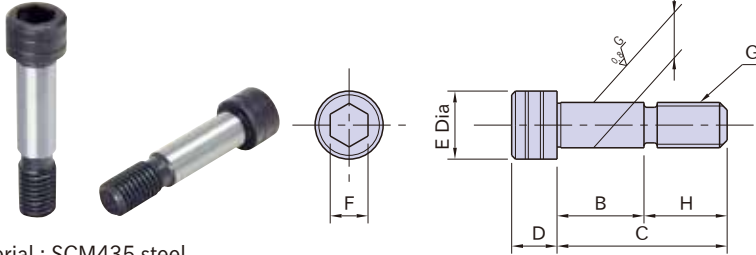
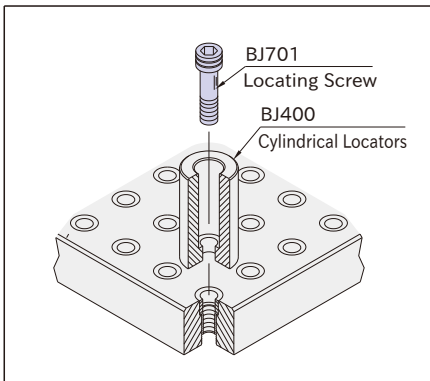


BJ701**LOCATING SCREWS (Accurate)**

Material : SCM435 steel
 Heat Treat : Quenched and tempered
 Finish : Black oxide
 Precision ground

Part Number	A (-0.005 -0.013)	B	C	D	E	F	G	H	Weight (g)
BJ701-12045	12	23	45	12	18	10	M12x1.75	22	52
BJ701-12055		33	55						59
BJ701-12065		43	65						68
BJ701-12075		53	75						76
BJ701-16055	16	30	55	16	24	14	M16x2	25	120
BJ701-16065		40	65						134
BJ701-16075		50	75						145

How To Use



Use to locate a component with one locating-screw hole.