

QCIC-M

ONE-TOUCH INDEXING CLAMPS



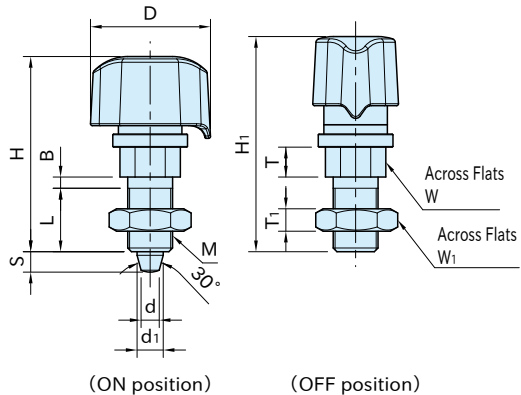
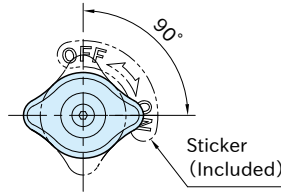
QCIC-M-P (ON position) **QCIC-M-P** (OFF position)



For **QCIC-M-2P**
(Sticker for without spring pressure type)



For **QCIC-M-3P**
(Sticker for with spring pressure type)



Body	Tapered Pin	Indicator	Knob
SCM440 steel Electroless nickel plated	SCM435 steel Electroless nickel plated	A5056 aluminum alloy Anodized Red	Polyamide (glass-fiber reinforced) Black

★Key Point
Locating and clamping at once

Size	Proper Plate Thickness	D	H	H ₁	d	d ₁	S	L	B	M	W	W ₁	T	T ₁	Proper Tapered Bushings
QCIC05M10	8~10	26	44	48	3.3	5	4.2	15	2	M10X1 (Fine Thread)	13	17	7	5	QCIC05TB
QCIC07M12	9~11	32	52	58	4.9	7	5	17	3	M12X1.5(Fine Thread)	14	19	8	6	QCIC07TB

Part Number	Clamping Force (N)	Spring Pressure (N)	Weight (g)
QCIC05M10-2P	140	—	45
QCIC07M12-2P	170	—	70
QCIC07M12-3P		9	70

QCIC-TB TAPERED BUSHINGS

Supplied With

- **QCIC-M-2P** : ON/OFF sticker
- **QCIC-M-3P** : ON/MID/OFF sticker

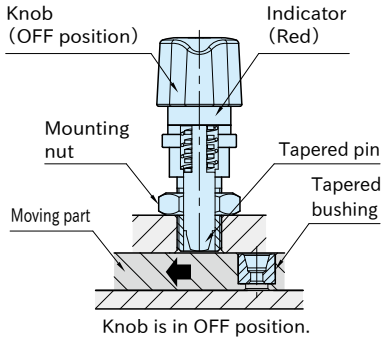
Note: The attached sticker is an aluminum with thickness of 0.2 mm and has an adhesive on the back side.

Feature

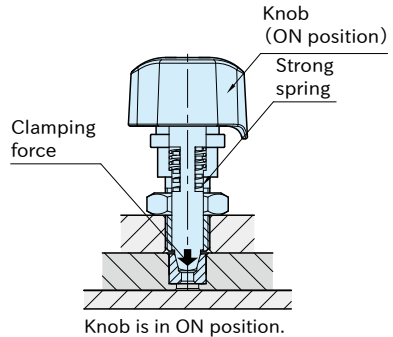
- Clamping by the tapered pin allows locating and clamping with no clearance at once.
- Only a tapped hole is required for mounting.
- Not only can be used with a tapered bushing, but also with a through hole made on the plate.
- The red indicator appears to show the unclamping state when the knob is in OFF position.
- Use **QCIC-F** ONE-TOUCH INDEXING CLAMPS to set ON/OFF position at your desired place.

■ Without Spring Pressure

2 positions of ON/OFF



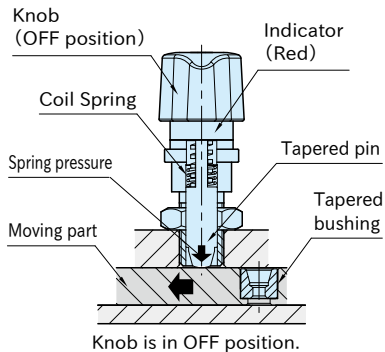
The tapered pin remains inside when releasing the knob.



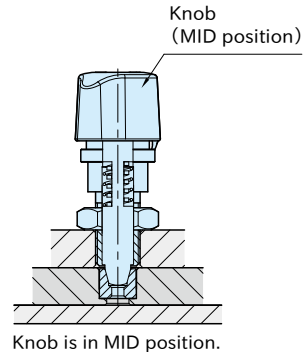
- Turn the knob to "ON" when the tapered pin and tapered bushing are aligned.
- Clamping force is generated by compressing strong spring and the tapered pin clamps the tapered bushing. The knob clicks when it is clamped.

■ With Spring Pressure


- 3 positions of ON/MID/OFF
- The plate is movable while receiving spring pressure of the coil spring inside the body.
- The tapered pin and tapered bushing automatically engage by spring pressure when they are aligned. (The knob positions in "MID".)



The tapered pin keeps pushed-out-state when releasing the knob. (The knob turns to "MID".)



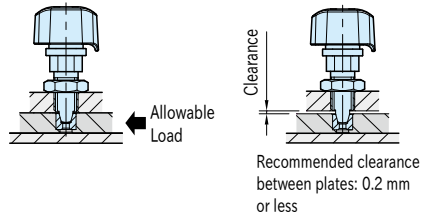
- The tapered pin and tapered bushing engage by spring pressure when they are aligned.
- The knob moves to "MID".
- Turn the knob from "MID" to "ON".
- Clamping force is generated by compressing strong spring and the tapered pin clamps the tapered bushing. The knob clicks when it is clamped.

 Continuing on Next Page

Technical Information

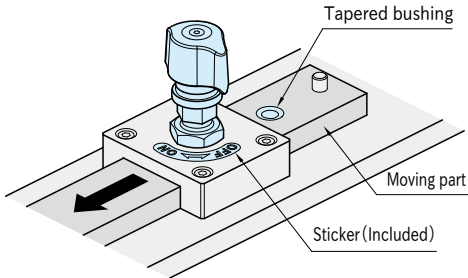
Size	Heatresistant Temperature (°C)	Allowable Load (N)
QCIC05M10	80	900
QCIC07M12		1300

Repeatability: ± 0.05

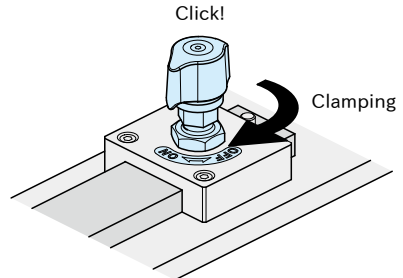


How To Use

Without Spring Pressure



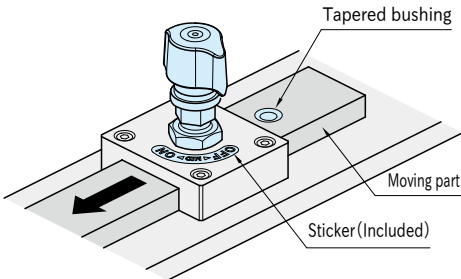
- ① Ensure that the knob is positioned at "OFF". Slide the moving part.



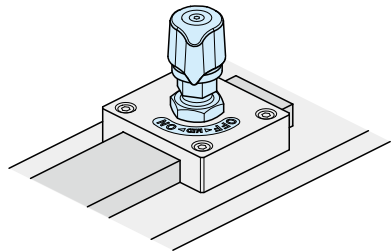
- ② Turn the knob to "ON" for clamping. The knob clicks when it is clamped.

Note: For [QCIC-M-2P](#) (Without Spring pressure), do not unclamp when the tapered pin is receiving axial load. (The tapered pin could not return due to structure.)

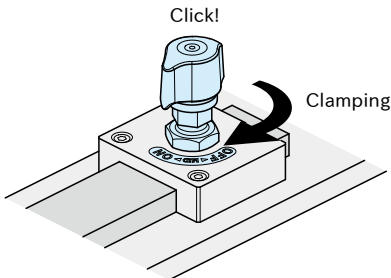
With Spring Pressure



- ① Slide the moving part when the knob is positioned at "OFF"



- ② The tapered pin and tapered bushing engage by spring force when they are aligned. The knob moves to "MID".

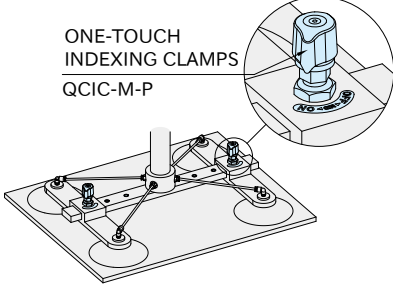


- ③ Turn the knob from "MID" to "ON" for clamping. The knob clicks when it is clamped.

Application Example

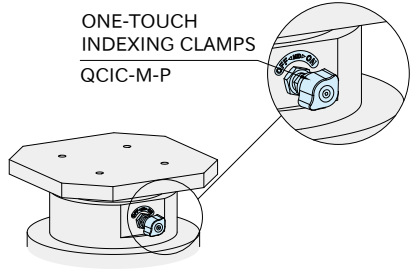
Locating and clamping for suction arms

ONE-TOUCH
INDEXING CLAMPS
QCIC-M-P



Locating and clamping for rotating pallet

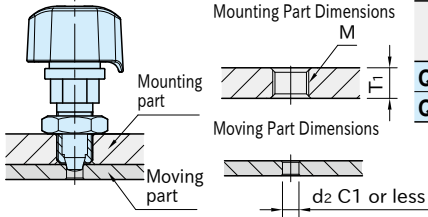
ONE-TOUCH
INDEXING CLAMPS
QCIC-M-P



How To Install

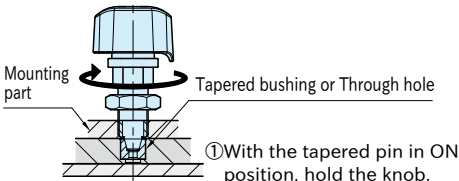
Mounting Hole Dimensions

Note: Without tapered bushing

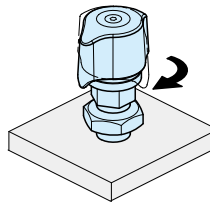


Size	d ₂	T ₁ (Proper Plate Thickness)	M
QCIC05M10	3.7~4.6	8~10	M10×1 (Fine Thread)
QCIC07M12	5.3~6.6	9~11	M12×1.5 (Fine Thread)

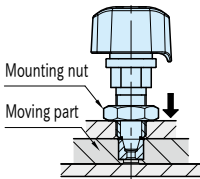
Installation Instructions



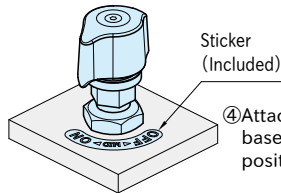
- ① With the tapered pin in ON position, hold the knob, and turn the body and screw it until the tapered pin touches lightly to the tapered bushing.



- ② Hold the knob and screw it about 90 degrees further.



- ③ Fix the mounting nut. Turn the knob to OFF position and make sure the moving part slides smoothly and the knob clicks.



- ④ Attach the sticker based on ON or OFF position.

Reference

"How To Install" of [QCIC-TB](#) Tapered Bushings